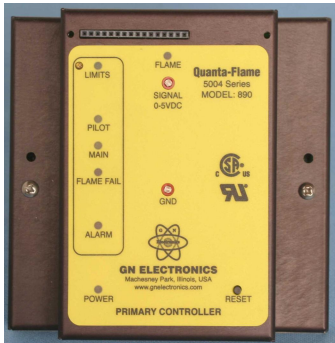




Easy Burner Control Upgrade

Quanta-Flame 5004-890 & 795 Burner Controls



The **Quanta-Flame 5004-890** is a replacement for most existing RA890 controls. The 5004-890 features including:

- No rewiring or changing of sensors
- Operates with existing UV sensors and Flame Rods.
- Optional plug in diagnostic display
- Standard relay alarm contact
- **Easy** mounting in control panels
- **Pilot Test Mode**

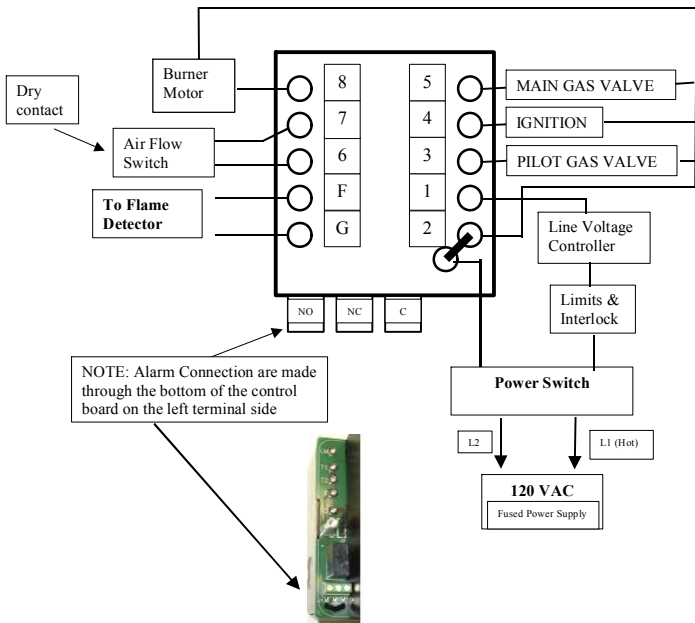
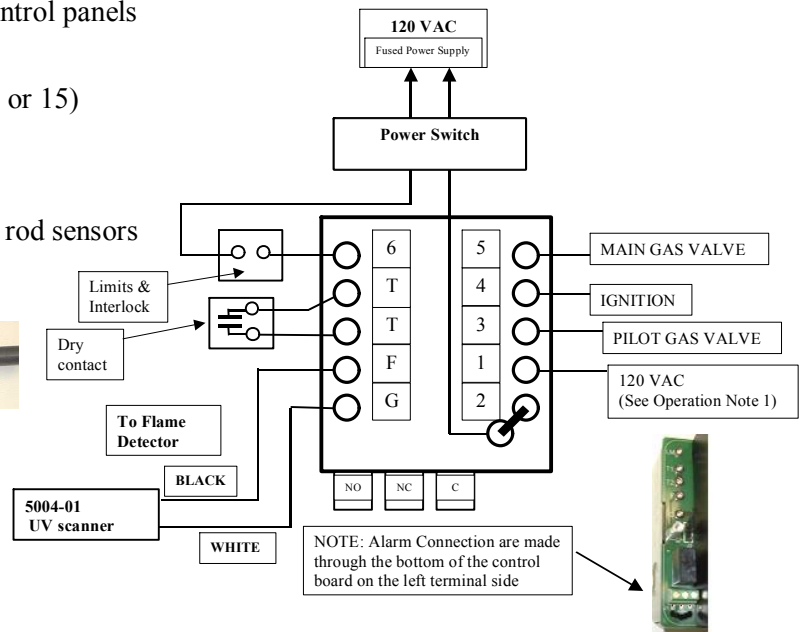
- Selectable Trial for Ignition times (3, 5, 10, or 15)
- Selectable interrupted or intermittent pilot
- Selectable Recycle or Non-recycle modes
- Every unit interfaces to ultraviolet or flame rod sensors



GN Electronics Scanner



Wiring Diagram



The **Quanta-Flame 5004-795** is a replacement for most existing R4795 controls with all the features above plus

- Selectable Purge Times (0 to 107 Seconds)

